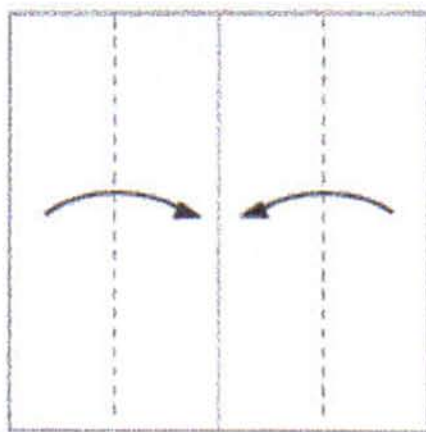
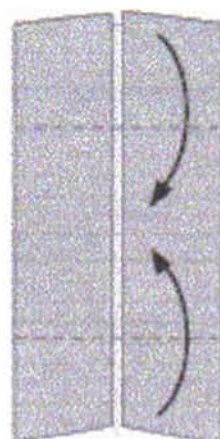


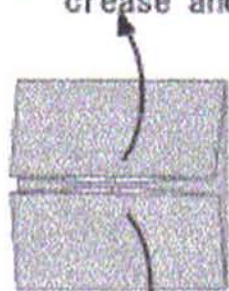
1 Fold in half to make a crease and fold back



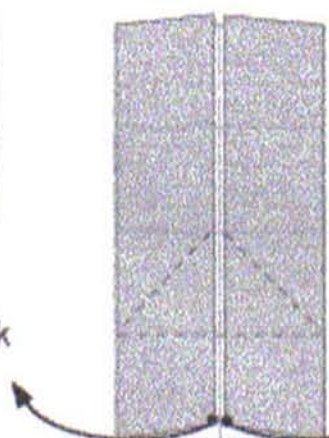
2 Fold to meet the center line along the crease



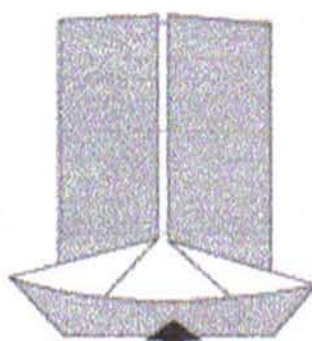
3 Fold in the dotted lines



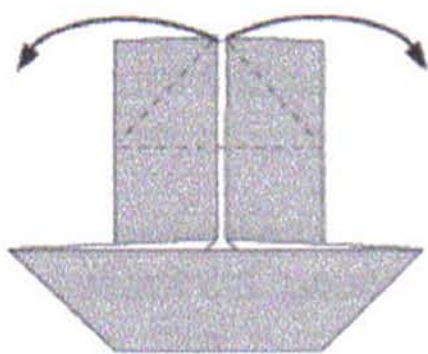
4 Fold back



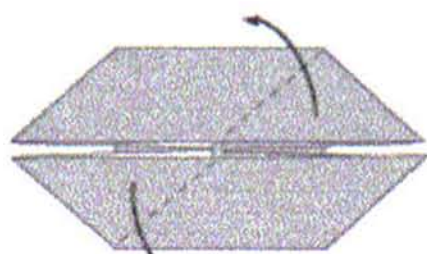
5 Open the corners and fold forward in the dotted lines



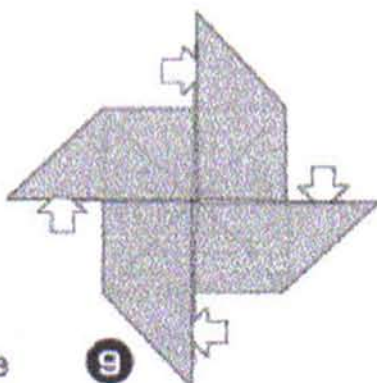
6 Open the 1 and flatten



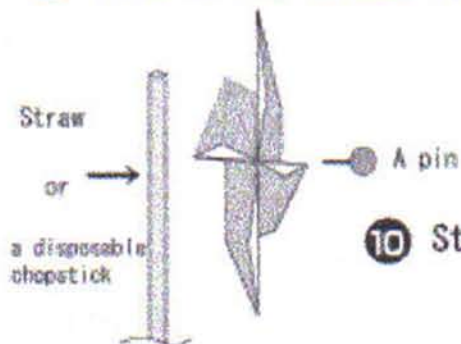
7 Open the corners fold and flatten like figure 5 and 6



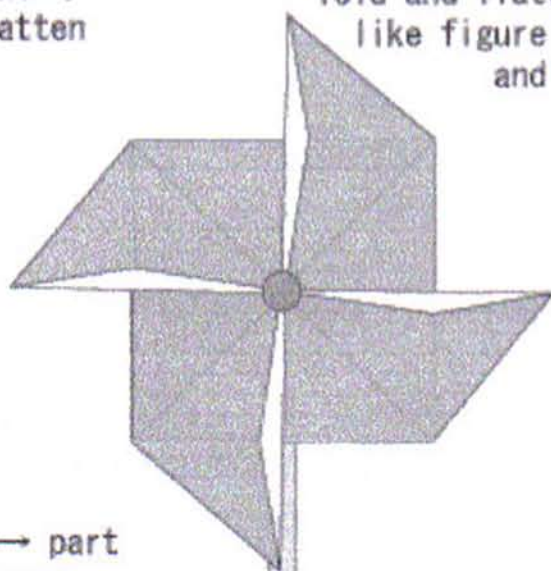
8 Fold in the dotted line



9 Lightly Open the → part to make slight spaces



10 Stick a pin



11 Finished

A Windmill